



User Manual 用户手册

推车版洗眼器
Portable Eyewash with Mobile Waste Cart

非常感谢您购买 SYSBEL 推车版洗眼器产品。作为一家关注员工安全和环境保护的公司 SYSBEL 将以优良的品质保证您工作环境和人员的安全。

SYSBEL 洗眼器，符合 ANSI Z358.1-2014 标准，用于安全应急防护。当遭遇化学物质意外伤害，可用于冲洗受伤者的身体、面部或眼部等遭受化学物质喷溅的部位，及时减轻化学物质的伤害程度，实现快速初级自救。



符合美国国家标准协会颁布的ANSI Z358.1-2014的标准，及OSHA 29 CFR 1910.151(C)规定，并通过CE认证，符合欧盟EN15154标准

产品特点

WG6000A / WG6000B

- 采用聚乙烯材质，其生产原料符合美国食品药品监督管理局 (F. D. A) 关于聚乙烯材料食品等级的规定 (F. D. A. Regulation on Polypropylene) Portable containers clauses (C) for food contact use)，具有强度高、韧性好、刚性强、耐热、耐寒等优点
- 符合人体工学原理设计，利用重力原理产生水压，把水输送到两个洗眼喷头处
- ABS 塑料喷头，食品级硅胶封盖
- 拉开橡胶盖即可进行紧急冲洗，迅速快捷
- 底部设置的排漏孔方便定期更换冲洗液操作
- 底座三个撑脚使得放置更加稳定，搬运时留有充足的操作空间
- 适用于户外或无给排水设施的工作场所工作，可根据需求安装安装固定于墙体，提供及时专业防护
- 建议每周按需要将洗眼器内液体排空，并清洗洗眼器各部件
- 配备挂墙背板
- 符合美国国家标准学会 / 工业安全设备协会关于紧急洗眼器及冲淋设备的规定 ANSI Z358.1-2014

WG6000AD / WG6000BD

- 为增加便携式洗眼器的机动性，搭配的推车可方便在车间内灵活转移，满足各工作区域的应急需求
- 完美搭配 WG6000A 和 WG6000B 两款便携式洗眼器
- 洗眼器放置后，喷头离地面距离在 83.8-134.6cm 之间，符合 ANSI Z358.1 对便携式洗眼器的安装要求

WG005

- 整体为亮黄色，聚乙烯材质，结构稳固，可长期适用于恶劣的工作环境中
- 连为一体的推车便于远距离的运输
- 底部配置的排水阀易于排水操作
- 沿着推车前进的方向，前面配备两个固定脚轮，后面配备万向全刹脚轮
- 清晰的洗眼器标识，便于设备识别
- 容量 38 加仑 / 143 升，外形尺寸高宽深分别为 86cm, 61.5cm 和 52cm



便携式洗眼器

产品名称	主体材质	容积 (L/Gal)	流速 (L/min)	有效出水时间 (min)	包装尺寸 (高×宽×深/mm)	毛重 (kg)	标准 / 认证	型号
便携式洗眼器A型	PE	60/16	2.6	18	436×750×435	9.5	ANSI Z358.1 AS 4775 CE	WG6000A
便携式洗眼器B型		30/8	2.6	9	357×635×360	7		WG6000B

推车版洗眼器

产品名称	容积 (L/Gal)	流速 (L/min)	有效出水时间 (min)	产品搭配	毛重	标准 / 认证	型号
推车版洗眼器(A型)	60/16	2.6	18	WG6000A+WG005	27.5	ANSI Z358.1 AS 4775 CE	WG6000AD
推车版洗眼器(B型)	30/8	2.6	9	WG6000B+WG005	25		WG6000BD

洗眼器专用移动推车

产品名称	主体材质	容积 (L/Gal)	外形尺寸 (高×宽×深/mm)	包装尺寸 (高×宽×深/mm)	毛重	型号
洗眼器专用移动推车	PE/聚丙烯	37.5/142	860×615×520	760×629×535	18	WG005

安装、使用、维护说明

安装说明

- 1) 根据 ANSI Z358.1 的规定，洗眼器应该安放在操作地 30 米以内，也就是受伤人员 10 秒内能到达的地方。雇员应该接受正确的关于如何使用紧急洗眼器装置的培训。WG6000A 装满水时重约 68kg，WG6000B 约 38kg，请选择能够承受此重量的墙面。洗眼器固定采用钩型托架（“J”型挂墙支架）固定在墙体。注意：固定螺丝在此不提供。“J”型挂墙支架安装孔的顶部位于墙体离地面 143.8cm 到 194.6 cm 之间的位置。在安装墙体标记好在这个高度范围内的安装孔位，在标记处打孔并将“J”型挂墙支架置于墙体，用安装螺栓将支架固定在墙体上。当洗眼器 洗眼折叠推板开启，置于水平位置时，洗眼器喷淋头应该安放在离地距离在 83.8 cm (33 inches) 到 134.6cm (53 inches) 之间的位置。（请见右侧图示）重要提示：WG6000A 装满水时便携式洗眼器总重约 150 磅 (68.1kg)。安装支架的螺丝（共 4 颗，不在此提供）或固定支架必须有足够的强度来支撑装满水的便携式洗眼器及工作人员使用洗眼器 时倚靠洗眼器的负重。
 - 2) 如有需要，可另行配置废液收集桶。
 - 3) 打开洗眼器水箱密封盖，使用清洁的或经过滤处理后的水源注满洗眼器水箱（确保其中不含沙石颗粒及其它污染物）。
 - 4) 采取适当的措施防止洗眼器水箱内有害细菌的滋生。（请参考维护说明）
- 建议的安装工具：4 粒用于洗眼器（充满水约为 150 磅）承重的螺丝 (M10, 3/8" diameter) 及安装这些螺丝所需的各类工具。

使用说明

向员工介绍本产品的使用方法。每天需要有人确认洗眼器水箱液体的水位，保证便携式洗眼器可正常使用。

- 1、当眼部受到污染时，立即到达洗眼站，拉开橡胶盖即可冲洗眼睛；
- 2、在低头部使得眼部处于洗眼器水柱中。用拇指及食指撑开眼睑；
- 3、及时取得医疗协助；
- 4、建议使用清洁的或经过滤的水源，具有危险品喷溅危害、污染品飞溅危害、及易导致燃烧危害的环境中等，需要配置能快速冲淋及清洗眼部、面部的洗眼冲淋装置。

工作区内如果工作内容中涉及腐蚀性原料会危害到眼睛和身体则必须安装合适的洗眼装置。

维护说明

ANSI Z358.1 要求所有的自载水源式洗眼器应进行每周一次的例行性外观检查，若该产品放置在可能影响外形，装配或部件功能（温度，灰尘等）的环境中，如用户觉得有必要，则检查频率应相应提高。采取适当的预防措施，以帮助防止潜在的有害细菌在洗眼器水箱内滋生。我们建议以下方式：排水（及时更新水箱用水）：每周对水箱进行排水清洁至少一次，清洗后重新加注清洁或过滤处理过的水源。每月彻底清洗至少一次。

客户必须自行提供检查记录标签，及洗眼器的维护检查记录（含日期和维护型号等内容）

商标和版权说明

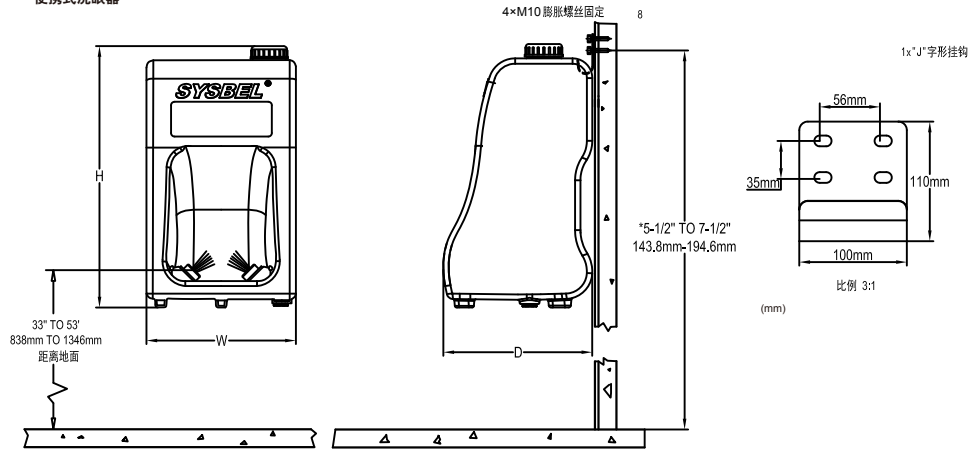
SYSBEL® 为 SYSBEL 注册商标，受法律保护

根据版权法，未经 SYSBEL 书面同意，不得复制本手册的全部或部分內容；我们已尽力确保本手册上的信息正确，如内容更新，恕不另行通知，

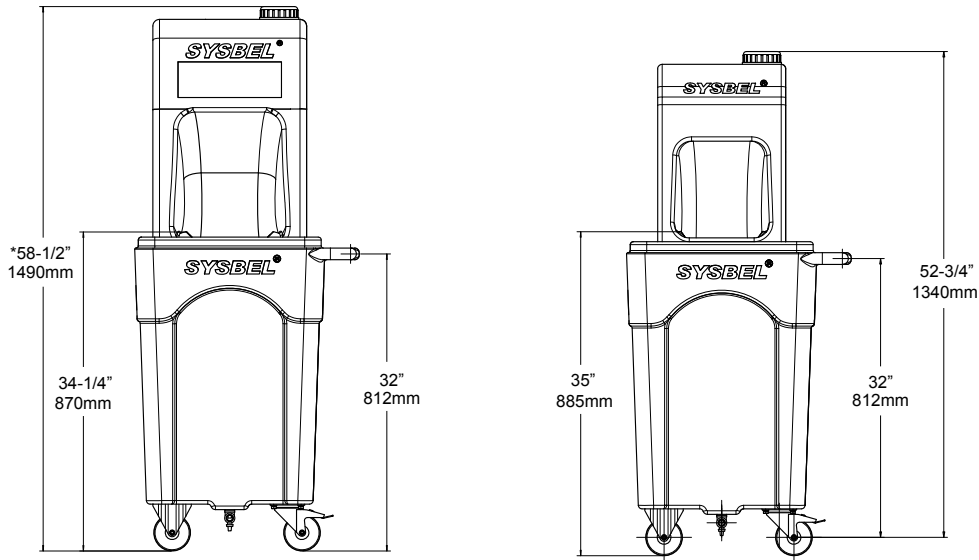
可随时查询我们官网 www.sysbel.com.cn

安装示意图

WG6000A / WG6000B
便携式洗眼器



WG6000AD / WG6000BD
说推车版洗眼器



注意:

1. 完全符合美国国家标准协会颁布的ANSI Z358.1-2014的标准, 及OSHA 29 CFR 1910.151(C)的规定:
 - 安装在操作地30米以内, 也就是受伤人员10秒内能够到达的地方。
 - 雇员应该接受正确的关于如何使用紧急洗眼器装置的培训。
 - 选择能够承重150磅(68公斤)的墙面, 墙体固定采用构型托架。
 - 洗眼喷头应该安装在离地面距离83.8cm到134.6cm之间的位置。
2. 洗眼器安放后必须保证前后左右水平。
3. 带"*"的尺寸标注可能有误差, 可参照mm标注, 一般尺寸的公差是±8mm。

Thank you for using our products. As a company of caring employee safety and environmental protection, SYSBEL provides high quality products to ensure the safety of your working environment and personnel.

SYSBEL eyewash complies with the standard of ANSI Z358.1-2014. As the emergency safety protection equipment, eyewash station series can be used for flushing the parts exposed to the splashed chemicals and other substances, such as the body, face or eyes, to promptly reduce the damage caused by chemicals and achieve rapid primary self-aid.



It complies with the regulations in ANSI Z358.1-2014 standard and OSHA 29 CFR 1910.151(C) issued by ANSI has acquired CE Certification

Discription

WG6000A / WG6000B

- It adopts PE materials, and the production materials comply with the regulations of F.D.A on the grade on PE materials for food (F.D.A. Regulation on Polypropylene: the requirements of U.S.21 CFR F.D.A. Regulation Part 177.1520, portable containers clauses (C) for food contact use), and it is superior in its high intensity, good toughness, good Rigidity, heat and cold resistance
- It complies with human engineering principle in design, and adopts the law of gravity to produce water pressure and deliver water to two nozzles for eye washing
- It applies to work places without water supply and discharge facilities and can be installed and fixed onto walls as required to provide timely and professional protection
- It complies with regulations of ANSI/SEA on emergency eye wash station and showering equipment-ANSI Z358.1-2014
- It is suggested to discharge the liquid in eye wash station weekly or as required and clean every component of eye wash station
- Wall-mounted backing plate is equipped.
- Pull the rubber cover for immediate washing.
- Easily discharge water in tank with the drainage hole at the base.
- Two ABS spray heads with dust rubber covers.
- Three supporting feet make the eyewash steady and have enough space to operate when it is transported.

WG6000AD / WG6000BD

- Mobile waste cart adds portability and even holds the unit, also, collects waste water
- Perfectly equipped with WG6000A and WG6000B
- After placing on the cart, the spray heads are located between 83.8-134.6cm from the floor, which comply with ANSI Z358.1-2014

WG005

- Highly visible yellow, rugged polyethylene construction is well suited to long term use in harsh environments
- Built in handle for easy transport is great for use on remote site
- Petcock on the bottom for easy drainage
- Comes equipped with two rigid casters in front and two swivel casters with "Total Lock" brakes in back
- Includes clearly marked eyewash signs
- Cart has 37.5-gallon (142 liter) capacity and measures 86H x 61.5W x 52D (cm)

Trademark & Copyright

SYSBEL® is a registered trademark of SYSBEL, which is protected by law.

According to copyright law, it is forbidden to copy the whole or particle content of this manual without the written consent of SYSBEL. We have tried our best to ensure that the information in this manual is correct, and if the information is updated, we will not inform you. You can check our official website at www.sysbel.com.cn any time.

Portable Eyewash								
Product	Main Material	Water Capacity (L/Gal)	Flow Speed (L/min)	Flushing Time (min)	Packing size HxWxD(mm)	G.W. (kgs.)	Certification	Model
Type A	PE	60/16	2.6	18	436×750×435	9.5	ANSI Z358.1 AS 4775 CE	WG6000A
Type B		30/8	2.6	9	357×635×360	7		WG6000B

Portable Eye Wash Station							
Product	Water Capacity (L/Gal)	Flow Speed (L/min)	Flushing Time (min)	Matching Products	G.W. (kgs.)	Certification	Model
Type A	60/16	2.6	18	WG6000A+WG005	27.5	ANSI Z358.1 AS 4775 CE	WG6000AD
Type B	30/8	2.6	9	WG6000B+WG005	25		WG6000BD

Portable Eyewash with Cart						
Product	Main Material	Water Capacity (L/Gal)	Ext. size HxWxD(mm)	Packing size HxWxD(mm)	G.W. (kgs.)	Model
Mobile Waste Cart	PE	37.5/142	860×615×520	760×629×535	18	WG005



Instruction

Installation
STEP 1: According to ANSI Z358.1, make sure portable eyewash unit shall be installed in accessible locations requiring no more than 10 seconds to reach and shall be within less than 30 meters from the hazard. Employees shall be instructed in the proper use of emergency eyewash equipment.

Select a suitable mounting location for the WG6000A and the WG6000B capable of supporting 68kg and 38kg. Mount unit to wall (not designed for tabletop or shelf mounting) utilizes "J" bracket (supplied). Note: The 3/8" mounting hardware not included. The top of the mounting hole should be located between 143.8cm to 194.6cm from the floor. Mark the mounting locations onto the wall and place mounting bracket on surface. Drill necessary holes into mounting surface, and secure "J" brackets Mounting Bracket to surface using mounting hardware. The eyewash nozzles shall be between 83.8 cm (33 inches) and 134.6 cm (53 inches) above the floor when eyewash arm is in the active (lowered) position. (See the Structure Drawing).

IMPORTANT:
Filled eyewash unit (WG6000A) is heavy (approximately 150 pounds). Mounting bracket anchors, (Quantity-4, not supplied), or shelf must be strong enough to support the filled portable eyewash and the weight of a worker leaning on portable eyewash.

STEP 2: Equip with a waste water collection barrel, if desired.
STEP 3: Remove Fill Cap and fill the tank of portable eyewash with potable water (make sure that no debris or contaminants of any kind are present in it).
STEP 4: Take proper precautions to help prevent the growth of potentially harmful bacteria in eyewash tank. (Refer to Maintenance Instructions).

RECOMMENDED TOOLS: Four 3/8" diameter hardware suitable for supporting filled eyewash (approximately 150 pounds) and tools needed to install the hardware.

Operation

Instruct all employees in the use of this Emergency Eyewash. Personnel should be assigned to check eyewash liquid level daily.

STEP 1: Lead patient to nearest eyewash station. Seconds can make the difference in preventing serious eye injury.
STEP 2: Pull black eyewash arm firmly. Eyewash arm will drop to activate eyewash.
STEP 3: Lower head until eyes enter eyewash stream. Use thumbs and forefingers to hold eyelids open.
STEP 4: Seek qualified medical attention immediately

Maintenance

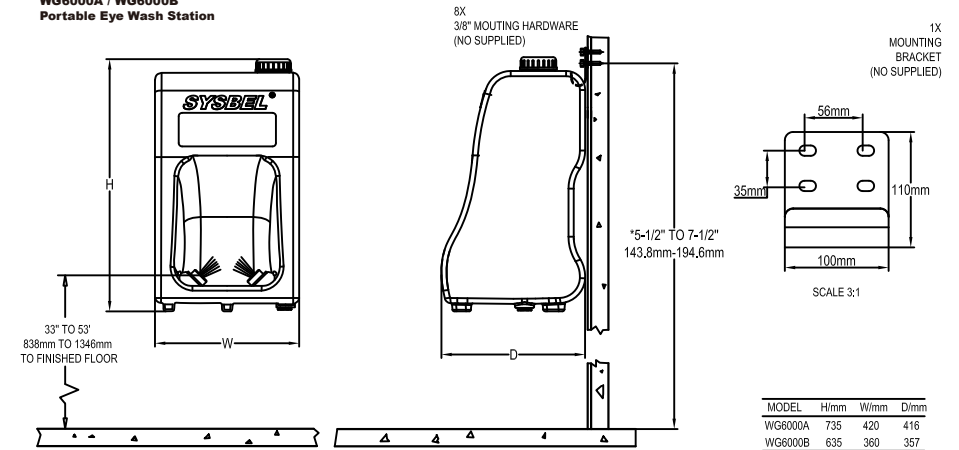
ANSI Z358.1 requires that all self-contained eyewash units shall be visually inspected weekly, unless the product is placed in environments with extreme conditions that may affect the form, fit, or function of the unit (temperature, dirt, etc.). If this is the case, then the inspection should be conducted more often as the end user deems necessary. Occasional cleaning and disinfection is recommended.

NOTE:

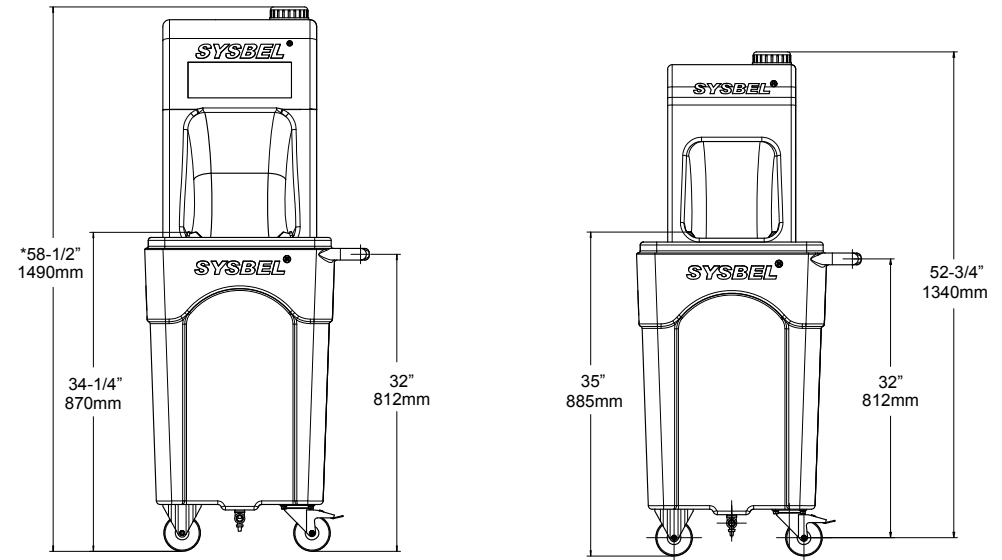
Customer must provide an inspection tag and maintain a record of inspection dates and type of maintenance performed
Take proper precautions to help prevent the growth of potentially harmful bacteria in eyewash tanks. We recommend the following procedure:
Drain, flush and refill portable units with clean potable water at least once a week. Thoroughly cleanse tank at least once every month.

Installation

WG6000A / WG6000B
Portable Eye Wash Station



WG6000AD / WG6000BD
说推车版洗眼器



NOTES:

- TO COMPLY WITH ANSI Z358.1-2014 AND OSHA 29 CFR 1910.151(C) FOR EMERGENCY EYEWASH:
 - UNIT SHALL BE INSTALLED IN ACCESSIBLE LOCATION REQUIRING NO MORE THAN 10s TO REACH AND SHALL BE WITHIN LESS THAN 30m FROM THE HAZARD.
 - EMPLOYEES SHALL BE INSTRUCTED IN THE PROPER USE OF EMERGENCY EYEWASH EQUIPMENT.
 - SELECT A SUITABLE WALL FOR THE WG6000Y CAPABLE OF SUPPORTING 150LB(68KG) TO LOCATE.
 - EYEWASH SHALL BE POSITIONED WITH NOZZLES NOT LESS THAN 838MM(33IN), AND ON MORE THAN 1346MM(53IN).
- UNIT MUST BE LEVEL FROM FRONT TO BACK AND SIDE TO SIDE.
- *DIMENSION MAY VARY 3/8"(9.525mm) ; TOLERANCE: ±8mm.